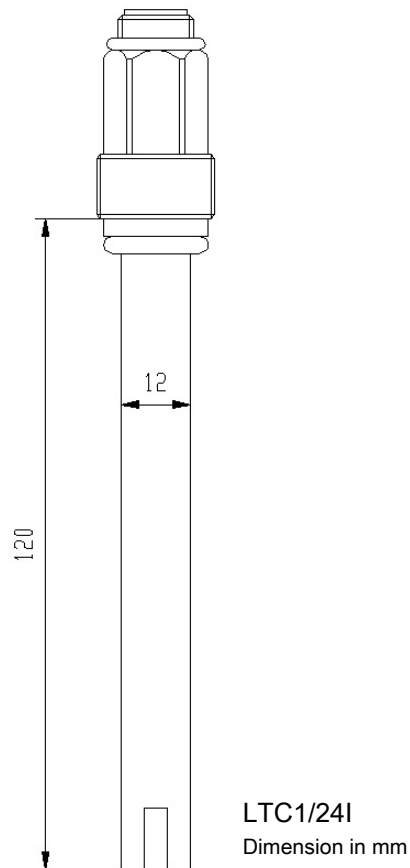


LTC1/24

Conductivity Cell



The conductivity sensor LTC1/24 combines enhanced 2-electrode technology with rugged design in a 12 mm plastic body. The LTC1/24 features wide measuring range, low maintenance and easy cleaning, ideal for universal application (water and waste water technology) in on-line monitoring as well as in connection with pocket and field instrumentation.

In addition to the version with plug head system and separated cable connection, models with fixed cable are available.

Sensor shaft	plastic (black), Ø 12 mm
Immersion length	120 mm
Electrode material	special graphite sealed in epoxy
Temperature range	-5...80 °C
Measuring range	1 µS/cm...100 mS/cm (dependent from frequency and measuring voltage)
Cell constant	1 cm ⁻¹ ± 20 %
Minimum immersion depth	15 mm
Pressure	< 6 bar
Storage	within the protective cap filled with distilled water
Electrical connection	<ul style="list-style-type: none"> ▪ S8 coaxial plug head with thread PG 13.5 ▪ S7 coaxial lab plug head ▪ fixed cable
Process connection	▪ with the relevant configuration thread PG 13.5 at sensor head for direct mounting in housings

- Electrical connections of the sensor:
 - LTC1/24I: S8 coaxial plug head with thread PG 13.5; separate connection cable is required
 - LTC1/24-L: S7 coaxial lab plug head; separate connection cable is required
 - LTC1/24-K050-F-P: 5 m fixed cable, stripped ends, thread PG 13.5
 - LTC1/24....: standard model LTC1/24
(plug head; cable length [1 m, 2 m, 5 m, 10 m], special cable length, plug, thread PG 13.5 are available)
 - LTC1/24 (OEM): customer specially designed models (sensor length, OEM logo, ...)

- Accompanying plug head cable connections:
 - K43/2: coaxial cable, length 2 m with S7/S8 socket, without meter plug
 - K50/2: coaxial cable, length 2 m with S7/S8 socket and German DIN plug
 - K51/2: coaxial cable, length 2 m with S7/S8 socket and BNC plug