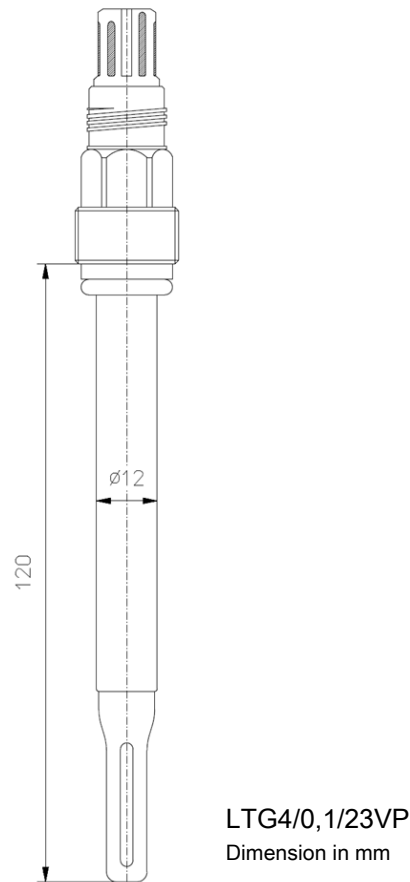


LTG4/0,1/23

Conductivity Cell with temperature sensor



The conductivity measuring cell LTG4/0.1/23 is a four-electrode measuring cell with a glass shaft, platinum-plated sheet electrodes and an integrated temperature sensor. A wide measuring range, robust design, low maintenance and easy cleaning characterize this measuring cell for universal use in water treatment, wastewater treatment, environmental and process technology.

In addition to the version with extremely robust Variopin plug-in head and separable cable connection, variants with fixed cable connection are also available.

Sensor shaft	glass, Ø 12 mm
Immersion length	120 mm
Electrode material	platinum
Temperature range	-5...100 °C
Temperature probe	Pt1000 for automatic temperature compensation and temperature measurement
Measuring range	1µS/cm...400 mS/cm (dependent from frequency and measuring voltage)
Cell constant	0.16 cm ⁻¹ ± 20 %
Minimum immersion depth	30 mm
Pressure	< 6 bar
Storage	within the protective cap filled with distilled water
Electrical connection	<ul style="list-style-type: none"> ▪ Variopin plug head with thread PG 13.5 ▪ fixed cable
Process connection	<ul style="list-style-type: none"> ▪ with the relevant configuration thread PG 13.5 at sensor head for direct mounting in housings (Sensors must be hand-screwed with 3.5 Nm in maximum)

- Electrical connections of the sensor:
 - LTG4/0,1/23VP: Variopin plug head with thread PG 13.5; separate connection cable is required.
 - LTG4/0,1/23-K050-F-P: 5 m fixed cable, stripped ends, thread PG 13.5
 - LTG4/0,1/23...: standard model LTG4/0,1/23 (plug head; cable length [1 m, 2 m, 5 m, 10 m], special cable length, plug, thread PG 13.5 are available)
 - LTG4/0,1/23 (OEM): customer specially designed models (sensor length, OEM logo, ...)

- Accompanying plug head cable connections:
 - KVPLF4/1: coaxial cable, length 1 m with Variopin socket, without meter plug
 - KVPLF4/3: coaxial cable, length 3 m with Variopin socket, without meter plug
 - KVPLF4/5: coaxial cable, length 5 m with Variopin socket, without meter plug
 - KVPLF4/10: coaxial cable, length 10 m with Variopin socket, without meter plug