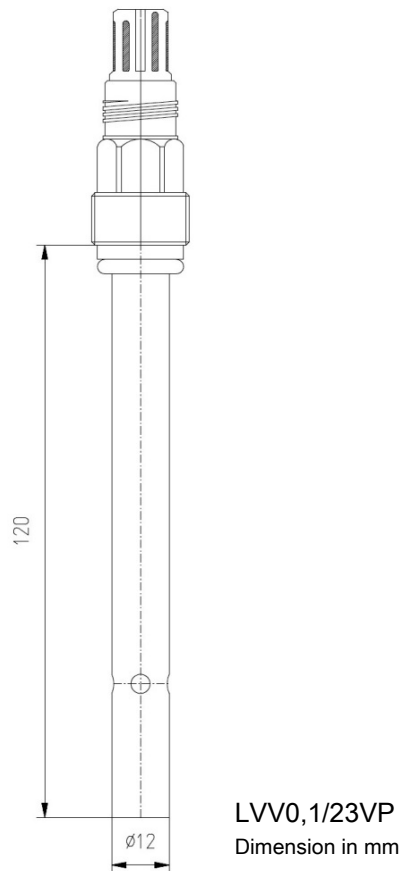


# LVV0,1/23

Conductivity Cell with temperature sensor



The conductivity sensor LVV0,1/23 combines enhanced 2-electrode technology with rugged design in a 12 mm stainless steel body and an incorporated temperature probe is available. The LVV0,1/23 features wide measuring range, low maintenance and easy cleaning, ideal for universal application, even in highly aggressive media as well as in drinking water and in environmental and process applications.

In addition to the version with Variopin plug head system and separated cable connection, models with fixed cable are available.

<b>Sensor shaft</b>	stainless steel 1.4571, Ø 12 mm
<b>Immersion length</b>	120 mm
<b>Electrode material</b>	stainless steel 1.4571
<b>Temperature range</b>	-5...100 °C
<b>Temperature probe</b>	Pt1000 for automatic temperature compensation and temperature measurement
<b>Measuring range</b>	0.1...200 µS/cm (dependent from frequency and measuring voltage)
<b>Cell constant</b>	0.1 cm <sup>-1</sup> ± 20 %
<b>Minimum immersion depth</b>	32 mm
<b>Pressure</b>	< 6 bar
<b>Storage</b>	within the protective cap filled with distilled water
<b>Electrical connection</b>	<ul style="list-style-type: none"> <li>▪ Variopin plug head with thread PG 13.5</li> <li>▪ fixed cable</li> </ul>
<b>Process connection</b>	<ul style="list-style-type: none"> <li>▪ with the relevant configuration thread PG 13.5 at sensor head for direct mounting in housings</li> </ul>

- Electrical connections of the sensor:
  - LVV0,1/23VP: Variopin plug head with thread PG 13.5; separate connection cable is required
  - LVV0,1/23-K050-F-P: 5 m fixed cable, stripped ends, thread PG 13.5
  - LVV0,1/23...: standard model LVV0,1/23 (plug head; cable length [1 m, 2 m, 5 m, 10 m], special cable length, plug, thread PG 13.5 are available)
  - LVV0,1/23 (OEM): customer specially designed models (sensor length, OEM logo, ...)
  
- Accompanying plug head cable connections:
  - KVP/3: coaxial cable, length 3 m with Variopin socket, without meter plug