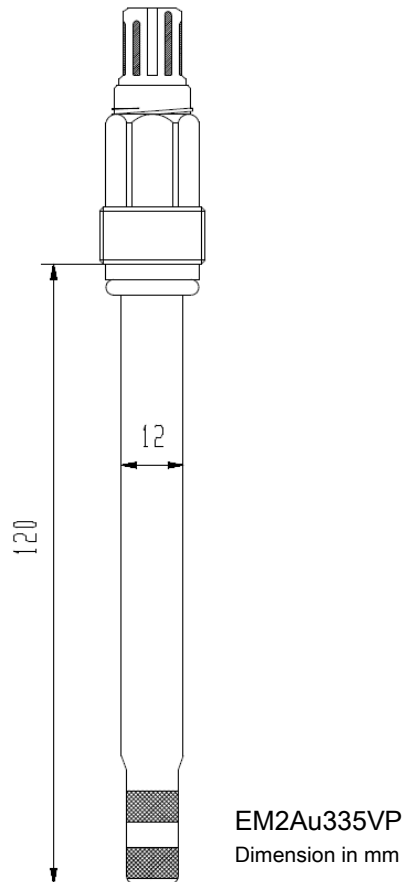


# EM2Au335

Potentiostatic sensor



The sensor EM2Au335 with 2 large-sized gold ring electrodes and polymer electrolyte features measurements with disinfections. Measuring parameters and measuring ranges are dependent from the connected measuring instruments. The potentiostatic sensor is recommended for measurements of free chlorine, chlorine dioxide and ozone.

In addition to the version with plug head and separated cable connection, models with fixed cable are available.

<b>Electrode shaft</b>	glass, Ø 12 mm
<b>Immersion length</b>	120 mm
<b>Metal electrode</b>	2x gold ring Ø 10 x 6 mm
<b>Temperature range</b>	-5...80 °C
<b>Reference system</b>	Ag/AgCl
<b>Electrolyte</b>	gel-filled (about 3 M KCl)
<b>Diaphragm</b>	1 ceramic frit
<b>Pressure</b>	< 6 bar
<b>Minimum conductivity</b>	> 150 µS/cm
<b>Electrical connection</b>	<ul style="list-style-type: none"> <li>▪ Variopin plug head with thread PG 13.5</li> <li>▪ M12 plug head with thread PG 13.5</li> <li>▪ fixed cable</li> </ul>
<b>Process connection</b>	<ul style="list-style-type: none"> <li>▪ with the relevant configuration thread PG 13.5 at sensor head for direct mounting in housings</li> <li>▪ installation vertically or laterally up to 30° from vertical</li> </ul>

- Electrical connections of the sensor:
  - EM2Au335VP: Variopin plug head with thread PG 13.5; separate connection cable is required
  - EM2Au335M12: M12 plug head with thread PG 13.5; separate connection cable is required
  - EM2Au335-K050-F-P: 5 m fixed cable, stripped ends, thread PG 13.5
  - EM2Au335...: standard model EM2Au335 (plug head; cable length [1 m, 2 m, 5 m, 10 m], special cable length, plug, thread PG 13.5 are available)
  - EM2Au335 (OEM): customer specially designed models (sensor length, OEM logo, ...)
  
- Accompanying plug head cable connections:
  - KVP/3: coaxial cable, length 3 m with Variopin socket, without meter plug