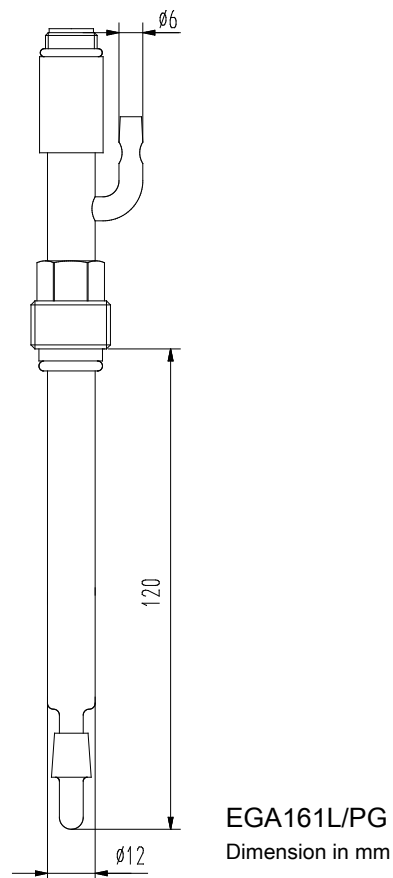


EGA161L/PG

pH Combination Electrode



This pH combination electrode with detachable glass ground sleeve diaphragm and large low-resistant pH membrane glass is the ideal choice for difficult applications in samples with low ionic strength, like ultra clean water and drinking water with low conductivity. The electrode features flexible glass sleeve ring diaphragm for adjustment of the electrolyte flow and an extremely large cylindrical pH membrane. Connect the side arm to a 3 M KCl reservoir and adjust the flow for optimal performance.

Electrode shaft	glass, Ø 12 mm (side tube for connecting to an electrolyte reservoir)
Immersion length	120 mm
pH range	0...14
Temperature range	-5...80 °C
Membrane shape	cylinder
Membrane resistance	≤ 500 MΩ (25 °C)
Reference system	Ag/AgCl
Electrolyte	fluid (about 3 M KCl), refillable
Diaphragm	1 flexible glass sleeve junction
Isopotential point	7.0 ± 0.3
Minimum conductivity of the medium	20 µS/cm
Minimum immersion depth	32 mm
Pressure	< 0.5 bar (higher with pressure load at a remote side tube connector)
Electrical connection	▪ S7 coaxial lab plug head
Process connection	▪ thread PG 13.5 at sensor shaft for direct mounting in housings ▪ installation vertically or laterally up to 30° from vertical

- Accompanying plug head cable connections:
 - K43/2: coaxial cable, length 2 m with S7/S8 socket, without meter plug
 - K50/2: coaxial cable, length 2 m with S7/S8 socket and German DIN plug
 - K51/2: coaxial cable, length 2 m with S7/S8 socket and BNC plug

- Accessories:
 - KCl reservoir: with hose connection for a silicon hose to connect the side tube connector of the electrode with the reservoir