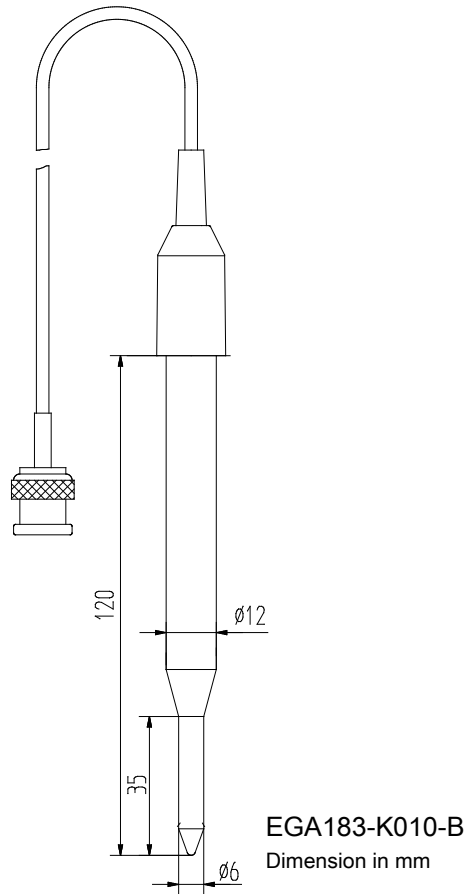


EGA183

pH Combination Electrode



These electrode feature superior performance for piercing soft and moist samples such as meat, fruits or cheese.

In addition to the version with plug head system and separated cable connection, models with fixed cable are available.

Electrode shaft	glass, Ø 12/6 mm
Immersion length	120 mm
pH range	2...11
Temperature range	-5...60 °C
Membrane shape	conic
Membrane resistance	≤ 500 MΩ (25 °C)
Reference system	Ag/AgCl
Reference electrolyte	gel-filled (about 3 M KCl)
Internal electrolyte	fluid (about 3 M KCl)
Diaphragm	2 ceramic frits
Isopotential point	7.0 ± 0.3
Minimum immersion depth	15 mm
Pressure	< 6 bar
Electrical connection	<ul style="list-style-type: none"> ▪ S7 coaxial lab plug head ▪ fixed cable
Measuring position	▪ vertically or laterally up to 30° from vertical

- Electrical connections of the sensor:
 - EGA183-L: S7 coaxial lab plug head; separate connection cable is required
 - EGA183-K010-B: 1 m fixed cable, BNC plug
 - EGA183...: standard model EGA183 (plug head; cable length [1 m, 2 m, 5 m, 10 m], special cable length, plug are available)
 - EGA183 (OEM): customer specially designed models (sensor length, OEM logo, ...)

- Accompanying plug head cable connections:
 - K43/2: coaxial cable, length 2 m with S7/S8 socket, without meter plug
 - K50/2: coaxial cable, length 2 m with S7/S8 socket and German DIN plug
 - K51/2: coaxial cable, length 2 m with S7/S8 socket and BNC plug