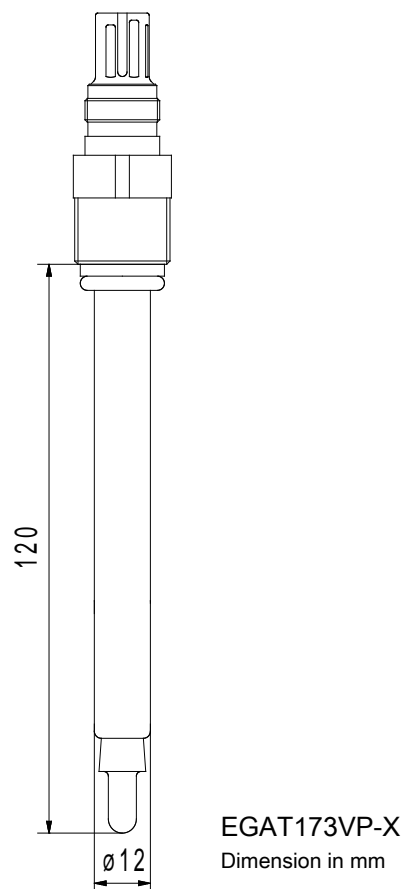


EGAT173

pH Combination Electrode with temperature sensor



This low maintenance pH combination electrode with gel electrolyte, ring-shaped glass sleeve junction and built-in temperature probe features application under industrial conditions in water technology, sewage treatment, electroplating and process chemistry. The incorporated temperature probe allows simultaneous measurement of pH and temperature especially for automatically temperature compensated pH measurements. In addition to the version with plug head system and separated cable connection, models with fixed cable are available.

The model EGCT173 with alkaline resistant high temperature glass (HT) features application for continuous measurement in mediums with higher temperature and extreme pH.

Electrode shaft	glass, Ø 12 mm
Immersion length	120 mm
pH range	0...14
Temperature range	<ul style="list-style-type: none"> ▪ EGAT173: -5...80 °C ▪ EGCT173: -5...100 °C
Temperature probe	<ul style="list-style-type: none"> ▪ Pt1000 ▪ Pt100 ▪ NTC 30 kΩ
Membrane shape	cylinder
Membrane resistance	<ul style="list-style-type: none"> ▪ EGAT173: ≤ 500 MΩ (25 °C) ▪ EGCT173: ≤ 1000 MΩ (25 °C)
Reference system	Ag/AgCl
Electrolyte	gel-filled (about 3 M KCl)
Diaphragm	1 ring shaped fixed glass sleeve junction
Isopotential point	7.0 ± 0.3
Minimum conductivity of the medium	50 µS/cm
Pressure	< 6 bar
Electrical connection	<ul style="list-style-type: none"> ▪ Variopin plug head with thread PG 13.5 ▪ fixed cable
Process connection	<ul style="list-style-type: none"> ▪ with the relevant configuration thread PG 13.5 at sensor head for direct mounting in housings ▪ installation vertically or laterally up to 30° from vertical

- Electrical connections of the sensor:
 - EGAT173VP-X: Variopin plug head with thread PG 13.5; separate connection cable is required; Pt1000
 - EGAT173-K050-F-P-X: 5 m fixed cable, stripped ends, thread PG 13.5; Pt1000
 - EGAT173...: standard model EGAT173 (plug head; cable length [1 m, 2 m, 5 m, 10 m], special cable length, plug, thread PG 13.5; temperature probe are available)
 - EGAT173 (OEM): customer specially designed models (sensor length, OEM logo, ...)

- Accompanying plug head cable connections:
 - KVP/3: coaxial cable, length 3 m with Variopin socket, without meter plug