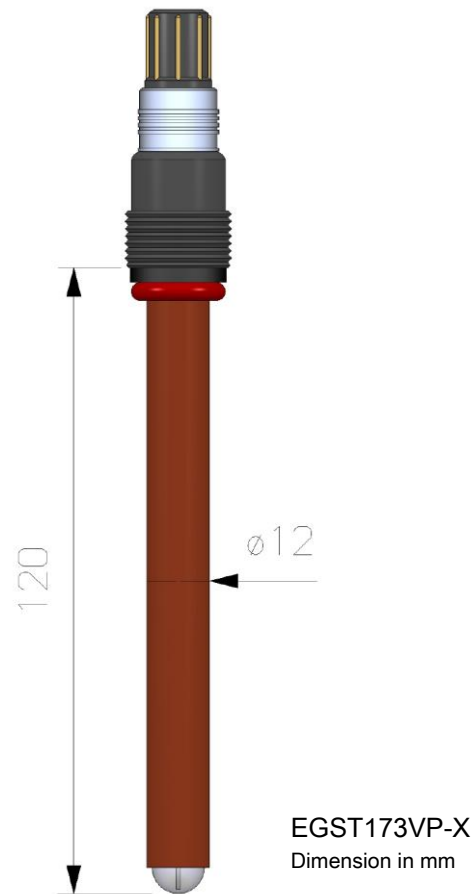


EGST173

pH Combination Electrode with temperature sensor



This low maintenance pH combination electrode with gel electrolyte, large-sized ring shaped junction and incorporated temperature probe features measurements in soil and much purified waste water and abrasive media. The EGST173 is very stable because of the KCl ring in the reference system and the rugged membrane. The incorporated temperature probe allows simultaneous measurement of pH and temperature especially for automatically temperature compensated pH measurements.

In addition to the version with plug head system and separated cable connection, models with fixed cable are available.

Electrode shaft	glass, Ø 12 mm
Immersion length	120 mm
pH range	2...13
Temperature range	0...100 °C
Temperature probe	Pt1000 Pt100 NTC 30 kOhm
Membrane shape	half ball
Membrane resistance	≤1000 MOhm
Reference system	Ag/AgCl
Electrolyte	gel-filled with KCl ring
Diaphragm	ring shaped junction
Isopotential point	7.0 ± 0.3
Pressure	< 6 bar
Electrical connection	<ul style="list-style-type: none"> ▪ Variopin plug head with thread PG 13.5 ▪ fixed cable
Process connection	<ul style="list-style-type: none"> ▪ with the relevant configuration thread PG 13.5 at sensor head for direct mounting in housings ▪ installation vertically or laterally up to 30° from vertical

- Electrical connections of the sensor:
 - EGST173VP-X: Variopin plug head with thread PG 13.5; separate connection cable is required, Pt1000
 - EGST173-K030-F-X: 3 m fixed cable, stripped ends, Pt1000

- Accompanying plug head cable connections:
 - KVP/3: coaxial cable, length 3 m with Variopin socket, without meter plug